

Canon

IK-4K

UltraHD 4K Video Camera



CANON MEDICAL COMPONENTS EUROPE B.V. Video Sensing Devices introduces the ultra-compact 3-chip UltraHD 4K video camera providing 8MP 3840 x 2160 output and up to 1600 TV lines of resolution. Video output is switchable between 4K, 1080p and 1080i formats. Due to its small size the IK-4K is ideal for live event broadcast or healthtech applications where 4K performance is crucial.

The **IK-4K camera** features quad 3G/HD-SDI 59.94/50Hz output, and incorporates advanced image processing through 12-channel color matrix adjustment and 5 user-defined settings files, providing unprecedented color accuracy and incredible resolution. C-mount lens mount compatible.



HD 1080p
1920 x 1080



UHD 2160p
3840 x 2160



UltraHD 3840 x 2160 format provides 4x the pixel data of 1080p, resulting in incredibly sharp details and higher resolution. (Simulated images are for illustration purposes only.)



IK-4K

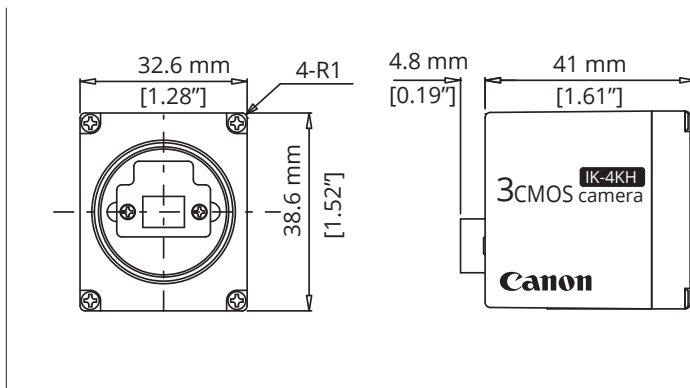
UltraHD 4K Video Camera

Camera Head Specifications

IK-4K

Image Sensor	3-CMOS, 1/2.9", progressive
Output Matrix	Horizontal: 3840, Vertical: 2160 UHD 4K mode Horizontal: 1920, Vertical: 1080 HD 1080p/1080i
Output Resolution H/V	1600 TV lines standard UltraHD 4K mode 1000 TV lines or more 1080p/1080i modes
Sensitivity	F5.6 standard (59.94 Hz setting) F6.1 standard (50 Hz setting) (at 2000 lx, 3000K)
Minimum Illumination	19.5 lx (59.94 Hz setting) 16.2 lx (50 Hz setting) at F2.2, 24 dB
S/N Ratio	58 dB standard AGC: OFF, Gamma: OFF, Enhance: OFF Color matrix: OFF, Color temp: 5600K
Operating Temperature	0°C to 40°C / 32°F to 104°F
Operating Humidity	Less than 90% (non-condensing)
Weight	Approx. 70 g (2.5 oz)
Dimensions	W: 32.6 mm H: 38.6 mm D: 41 mm (1.28" x 1.52" x 1.61") Protruding portion is not included

Camera Head Exterior Dimensions



Controller Specifications

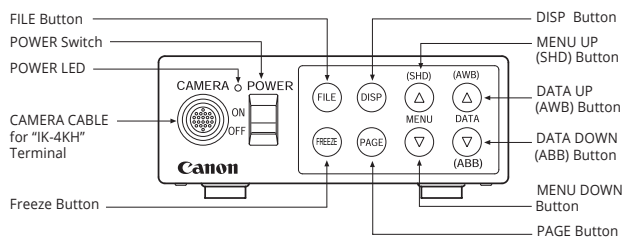
IK-4KE

Power Supply	12V DC±10%
Power Consumption	13.8 W
Scanning System	Progressive / Interlaced (Selectable)
Scan Frequency	H: 67.433 kHz, V: 59.94 Hz :1080p / 59.94 Hz 4K / 59.94 Hz 4 division output H: 56.250 kHz, V: 50 Hz :1080p / 50 Hz 4K / 59.94 Hz 4 division output H: 33.716 kHz, V: 59.94 Hz : 1080i / 59.94 Hz H: 28.125 kHz, V: 50 Hz : 1080i / 50 Hz
Operating Temperature	0°C to 40°C / 32°F to 104°F
Operating Humidity	Less than 90% (non-condensing)
Weight	Approx. 800 g (1.76 lbs.)
Dimensions	W: 110 mm, H: 40 mm, D: 196 mm (4.33" x 1.58" x 7.72")
Scene Files	5 User-configurable scene files
White Balance	Auto / Manual (Selectable)
Gain	Auto (-6 dB to 24 dB); Manual (-6 dB to 24 dB), OFF
Output Signal	4x 3G/HD-SDI
Electronic Shutter	Auto / Manual / OFF 1/60 - 1/10,000

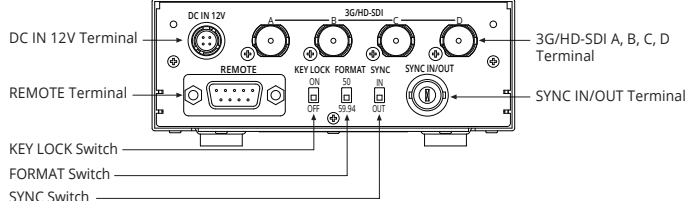
This product is marked with "CE" and therefore complies with the applicable harmonized European standards listed under the Directive 2014/30/EU and 2011/65/EU.

Controller Front and Back Panels

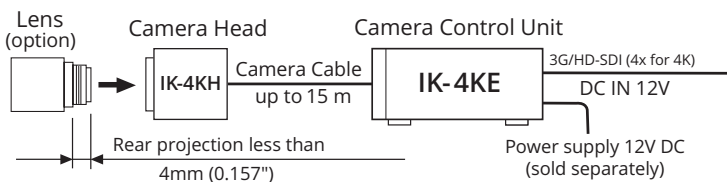
IK-4KE FRONT



IK-4KE REAR



Connection



System Components

For further details, contact your Canon ME/FA distributor.

CAMERA HEAD

IK-4KH

CAMERA CONTROL UNIT

IK-4KE

CAMERA CABLE

Model	Length
EXC-3HD03	3 m
EXC-3HD06	6 m
EXC-3HD10	10 m
EXC-3HD15	15 m



CANON MEDICAL COMPONENTS EUROPE B.V. Video Sensing Devices
Bovenkerkerweg 59, 1185 XB, Amstelveen, Netherlands

© 2023 CANON MEDICAL COMPONENTS EUROPE B.V. All rights reserved. All products and names mentioned are the property of their respective owners. While Canon has made every effort at the time of publication to ensure the accuracy of the information provided herein, product specifications, configurations, prices, system/component/options availability are all subject to change without notice. When used for medical imaging applications, the customer assumes full responsibility and liability to determine suitability for use as well as responsibility for documentation and testing to comply with relevant medical device standards. Canon assumes no liability for such applications.